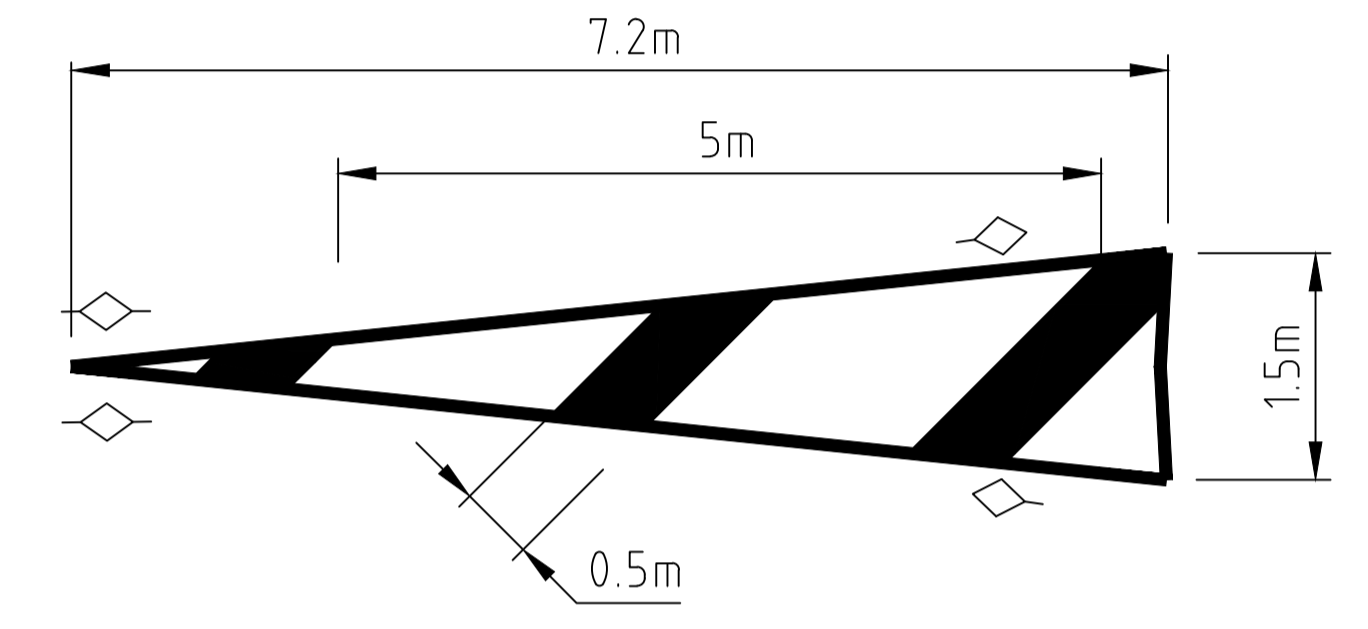


LINES AND SIGNS
SCALE 1:250

NOTES:

1. TOWN OF VICTORIA PARK APPOINTED CONTRACTOR TO REMOVE ALL OBSOLETE LINE MARKING, RRPMS & SPOT FOR LONGITUDINAL LINE MARKING.
2. MAINTAIN TEMPORARY ROAD PAVEMENT MARKING AND SIGNAGE UNTIL M.R.W.A ROAD PAVEMENT MARKING AND SIGNAGE ARE COMPLETED

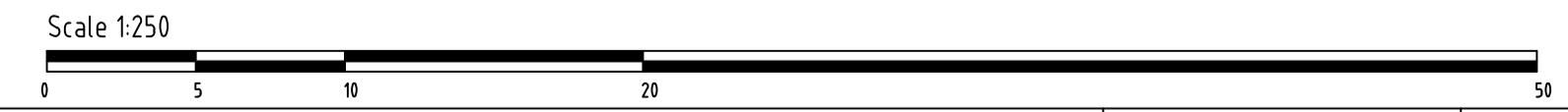


PAINTED SPLITTER ISLAND
DIMENSIONS
SCALE 1:50

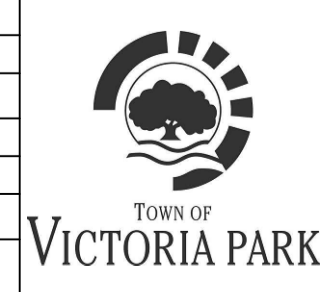
ROAD MARKING CONSTRUCTION DETAILS		RRPMS AT 6.0m CRS	
1. ALL LINEMARKINGS TO BE "4 YEAR LIFE" MATERIAL FOR ARTERIAL ROADS.		NEW SIGN POST	
2. ALL LINEMARKINGS TO BE APPLIED WITH GLASS BEADS.		EXISTING SIGN POST	
SEPARATION LINE (80mm WIDE LINE)	3.0m LINE AND 9.0m GAP	CONTINUITY LINE (120mm WIDE LINE)	1.0m LINE AND 3.0m GAP
BARRIER LINES ONE DIRECTION (80mm WIDE LINE, 80mm GAP)	3.0m LINE AND 9.0m GAP	STOPLINE (450mm WIDE LINE - UNLESS OTHERWISE SPECIFIED)	
BOTH DIRECTIONS (80mm WIDE LINE, 80mm GAP)		GIVEWAY/HOLD LINE (300mm WIDE LINE)	0.6m LINE AND GAP
UNBROKEN SEPARATION LINE (150mm WIDE LINE FOR PRIMARY ROADS)		TURN/PEDESTRIAN GUIDELINES (80mm WIDE LINE)	0.6m LINE AND GAP
UNBROKEN SEPARATION LINE (120mm WIDE LINE FOR LOCAL ROADS)			
EDGE LINE (120mm WIDE LINE)			

✕—✕ REMOVE OBSOLETE LINE BY THE TOWN'S CONTRACTOR

LOW COST URBAN ROAD SAFETY PROGRAM FUNDED
FLETCHER PARK PRECINCT



Amendments	No	Date	REVISION	By	App'd
0	03/24		ISSUED FOR MRWA APPROVAL	H.U.	T.K.



TOWN OF VICTORIA PARK
99 SHEPPERTON ROAD, VICTORIA PARK
THIS DRAWING REMAINS THE PROPERTY OF THE TOWN OF VICTORIA PARK AND MUST NOT BE RETAINED, COPIED OR USED WITHOUT THE AUTHORITY OF THE DIRECTOR TECHNICAL SERVICES

DESIGNED	H.U.	03/24	SCALE	1:250 @ A1
DRAWN	H.U.	03/24	DATUM	AHD PC694
CHECKED	T.K.	03/24	APPROVED	
RECOMMENDED				

RALEIGH ST & LION ST, CARLISLE		SHEET 2 OF 2
MINI ROUNDABOUT		DRAWING No.
TRAFFIC SIGNS AND PAVEMENT MARKING		E 10770-2
		Job No.
		A 1

J:\YTechSvc\Design\000 PROJECTS (2023-24)\LATM - Low Cost Safety\RAleigh St & Lion St\ACAD\URSP RALEIGH ST & LION ST.dwg