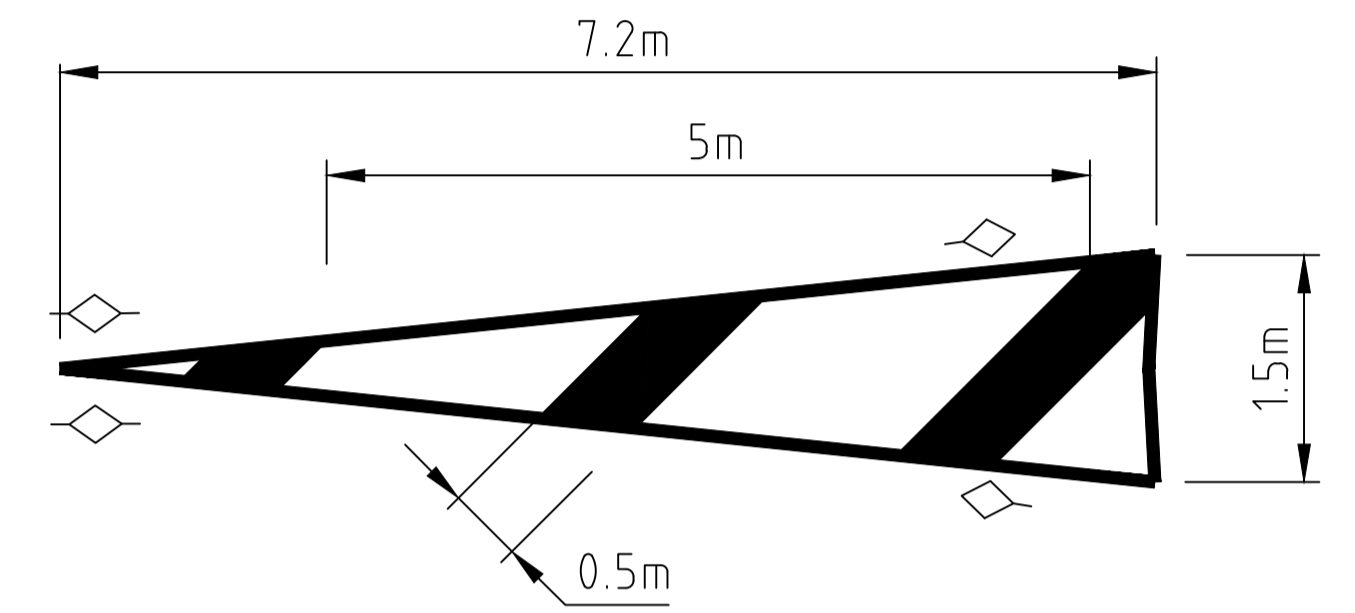


**NOTES:**

- TOWN OF VICTORIA PARK TO REMOVE ALL OBSOLETE LINE MARKING, RRPMS & SPOT FOR LONGITUDINAL LINE MARKING.
- MAINTAIN TEMPORARY ROAD PAVEMENT MARKING AND SIGNAGE UNTIL M.R.W.A ROAD PAVEMENT MARKING AND SIGNAGE ARE COMPLETED

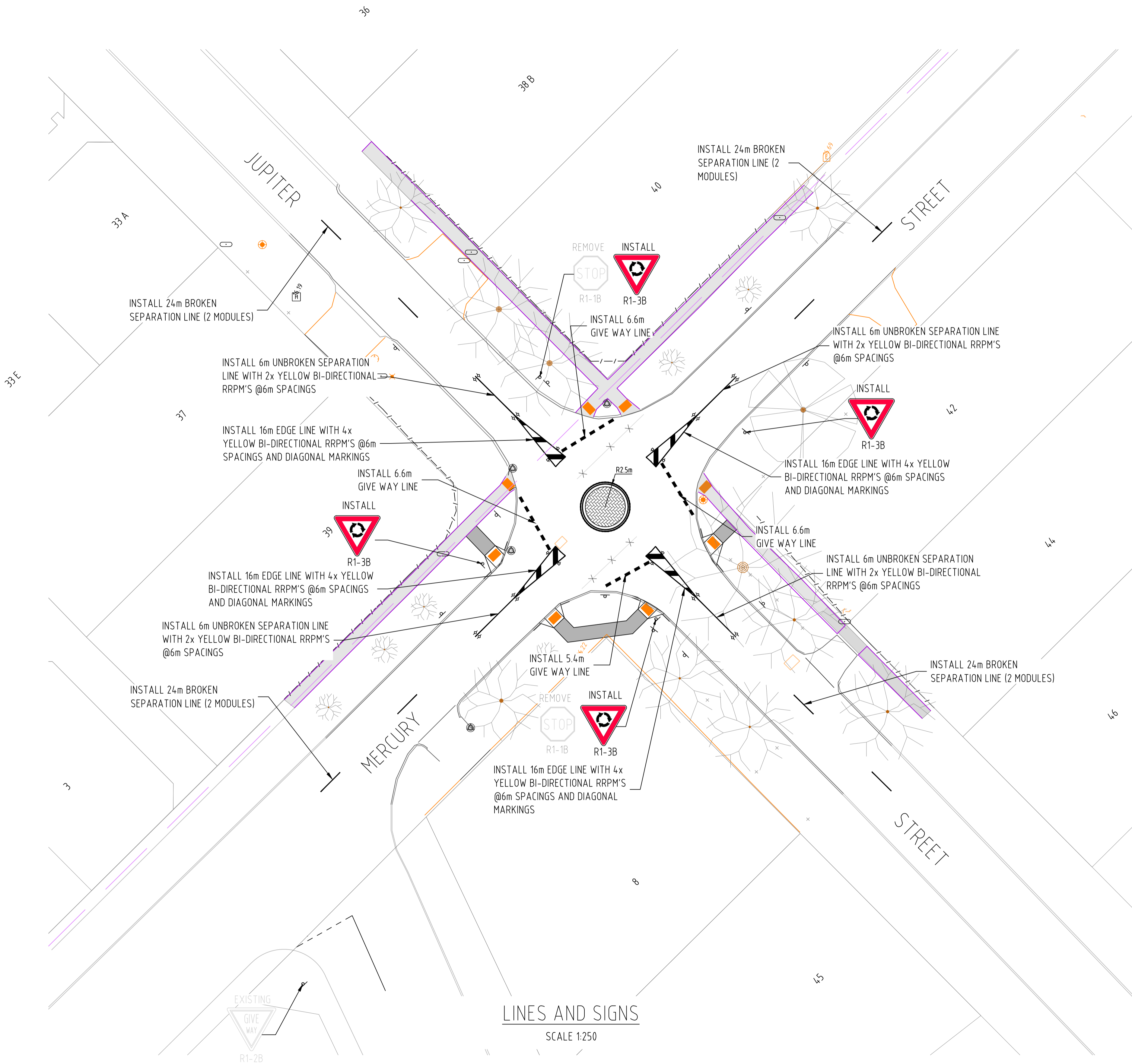


**PAINTED SPLITTER ISLAND**  
DIMENSIONS  
SCALE 1:50

ROAD MARKING CONSTRUCTION DETAILS		
1. ALL LINEMARKINGS TO BE "4 YEAR LIFE" MATERIAL FOR ARTERIAL ROADS.		
2. ALL LINEMARKINGS TO BE APPLIED WITH GLASS BEADS.		
SEPARATION LINE (80mm WIDE LINE)	3.0m LINE AND 9.0m GAP	RRPMS AT 6.0m CRS
BARRIER LINES ONE DIRECTION (80mm WIDE LINE, 80mm GAP)	3.0m LINE AND 9.0m GAP	NEW SIGN POST
BOTH DIRECTIONS (80mm WIDE LINE, 80mm GAP)	3.0m LINE AND 9.0m GAP	EXISTING SIGN POST
UNBROKEN SEPARATION LINE (150mm WIDE LINE FOR PRIMARY ROADS)	150mm WIDE LINE	
UNBROKEN SEPARATION LINE (120mm WIDE LINE FOR LOCAL ROADS)	120mm WIDE LINE	
EDGE LINE (120mm WIDE LINE)	120mm WIDE LINE	
CONTINUITY LINE (120mm WIDE LINE)	120mm WIDE LINE	
STOPLINE (450mm WIDE LINE - UNLESS OTHERWISE SPECIFIED)	450mm WIDE LINE	
GIVEWAY/HOLD LINE (300mm WIDE LINE)	300mm WIDE LINE	
TURNOVER/PEDESTRIAN GUIDELINES (80mm WIDE LINE)	80mm WIDE LINE	
1.0m LINE AND 3.0m GAP		
0.6m LINE AND GAP		
0.6m LINE AND GAP		

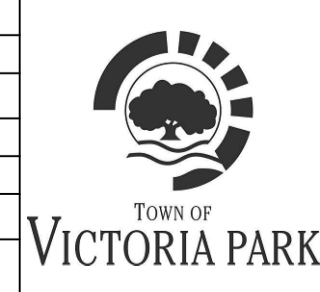
✕✕✕ REMOVE OBSOLETE LINE BY THE TOWN'S CONTRACTOR

**LOW COST URBAN ROAD SAFETY PROGRAM FUNDED  
FLETCHER PARK PRECINCT**



**LINES AND SIGNS**  
SCALE 1:250

Amendments	No	Date	REVISION	By	App'd
	0	03/24	ISSUED FOR MRWA APPROVAL	HU	T.K
			REVISION		



**TOWN OF VICTORIA PARK**  
99 SHEPPERTON ROAD, VICTORIA PARK

THIS DRAWING REMAINS THE PROPERTY OF THE TOWN OF VICTORIA PARK AND MUST NOT BE RETAINED, COPIED OR USED WITHOUT THE AUTHORITY OF THE DIRECTOR TECHNICAL SERVICES

DESIGNED	HU	03/24	SCALE	1:250 @ A1
DRAWN	HU	03/24	DATUM	AHD PG694
CHECKED	T.K	03/24	APPROVED	
RECOMMENDED				

**MERCURY ST & JUPITER ST, CARLISLE**  
MINI ROUNDABOUT  
TRAFFIC SIGNS AND PAVEMENT MARKINGS

SHEET	2 OF 2
DRAWING No.	E 10767-2
Job No.	