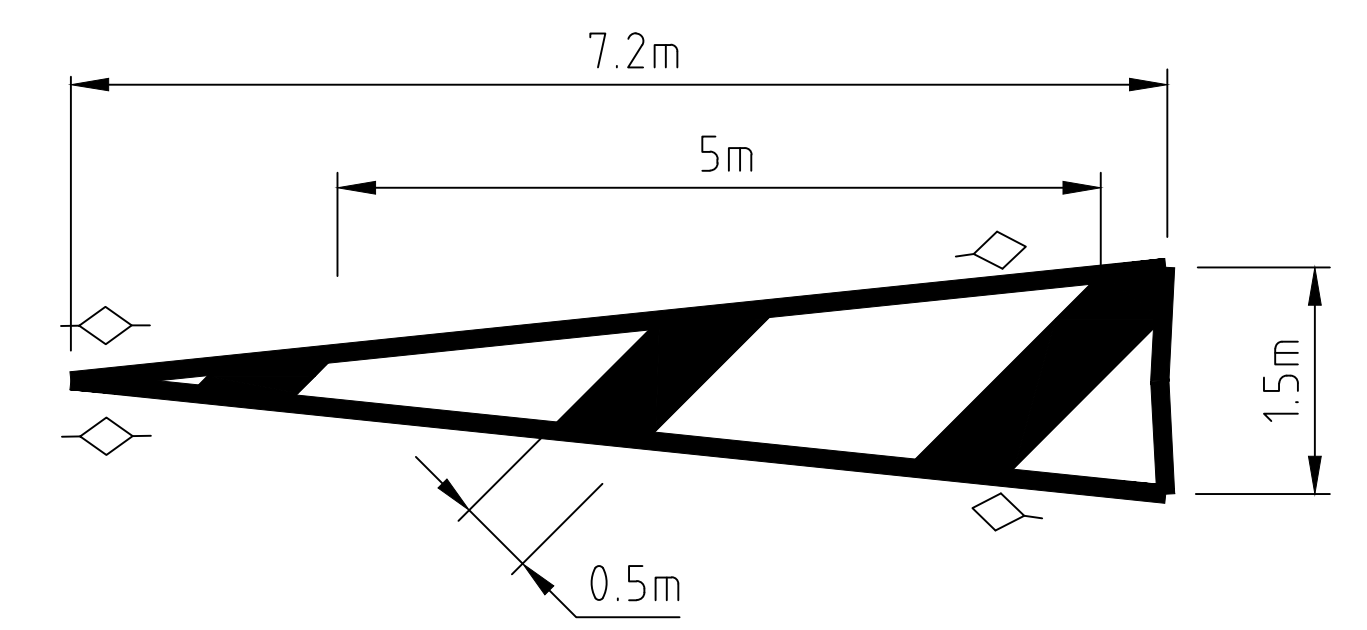


1. TOWN OF VICTORIA PARK TO REMOVE ALL OBSOLETE LINE MARKING, RRPMS & SPOT FOR LONGITUDINAL LINE MARKING.
2. MAINTAIN TEMPORARY ROAD PAVEMENT MARKING AND SIGNAGE UNTIL M.R.W.A ROAD PAVEMENT MARKING AND SIGNAGE ARE COMPLETED

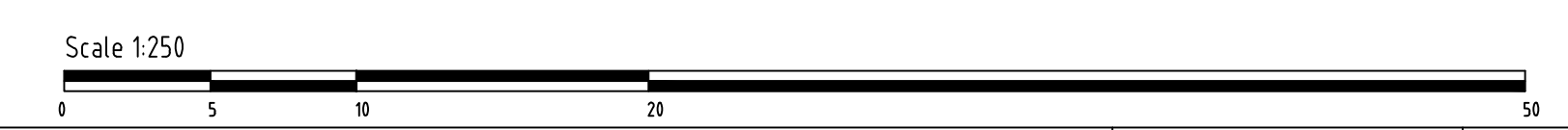


PAINTED SPLITTER ISLAND
DIMENSIONS
SCALE 1:50

ROAD MARKING CONSTRUCTION DETAILS		RRPMS AT 6.0m CRS
1. ALL LINEMARKINGS TO BE "4 YEAR LIFE" MATERIAL FOR ARTERIAL ROADS. 2. ALL LINEMARKINGS TO BE APPLIED WITH GLASS BEADS.		NEW SIGN POST
		EXISTING SIGN POST
SEPARATION LINE (80mm WIDE LINE)	3.0m LINE AND 9.0m GAP	1.0m LINE AND 3.0m GAP
BARRIER LINES ONE DIRECTION (80mm WIDE LINE, 80mm GAP)	3.0m LINE AND 9.0m GAP	STOPLINE (450mm WIDE LINE - UNLESS OTHERWISE SPECIFIED)
BOTH DIRECTIONS (80mm WIDE LINE, 80mm GAP)	3.0m LINE AND 9.0m GAP	GIVEWAY/HOLD LINE (300mm WIDE LINE)
UNBROKEN SEPARATION LINE (150mm WIDE LINE FOR PRIMARY ROADS)	3.0m LINE AND 9.0m GAP	TURN/PEDESTRIAN GUIDELINES (80mm WIDE LINE)
UNBROKEN SEPARATION LINE (120mm WIDE LINE FOR LOCAL ROADS)	3.0m LINE AND 9.0m GAP	
EDGE LINE (120mm WIDE LINE)	3.0m LINE AND 9.0m GAP	

--- REMOVE OBSOLETE LINE BY THE TOWN'S CONTRACTOR

LOW COST URBAN ROAD SAFETY PROGRAM FUNDED
RAPHAEL PARK PRECINCT



Amendments	No	Date	REVISION	By	App'd
	0	29/02	ISSUED FOR MRWA COMMENT/APPROVAL	HU	T.K

TOWN OF VICTORIA PARK
99 SHEPPERTON ROAD, VICTORIA PARK

THIS DRAWING REMAINS THE PROPERTY OF THE TOWN OF VICTORIA PARK AND MUST NOT BE RETAINED, COPIED OR USED WITHOUT THE AUTHORITY OF THE DIRECTOR TECHNICAL SERVICES

DESIGNED	HU	02/24	SCALE	1:200 @ A1
DRAWN	HU	02/24	DATUM	
CHECKED	T.K	02/24	APPROVED	
RECOMMENDED				

MERCURY ST & MARS ST, CARLISLE
MINI ROUNDABOUT
SIGNS AND PAVEMENT MARKING

SHEET 2 OF 2
DRAWING No. E 10715-2
Job No. WOXXXX

A 1