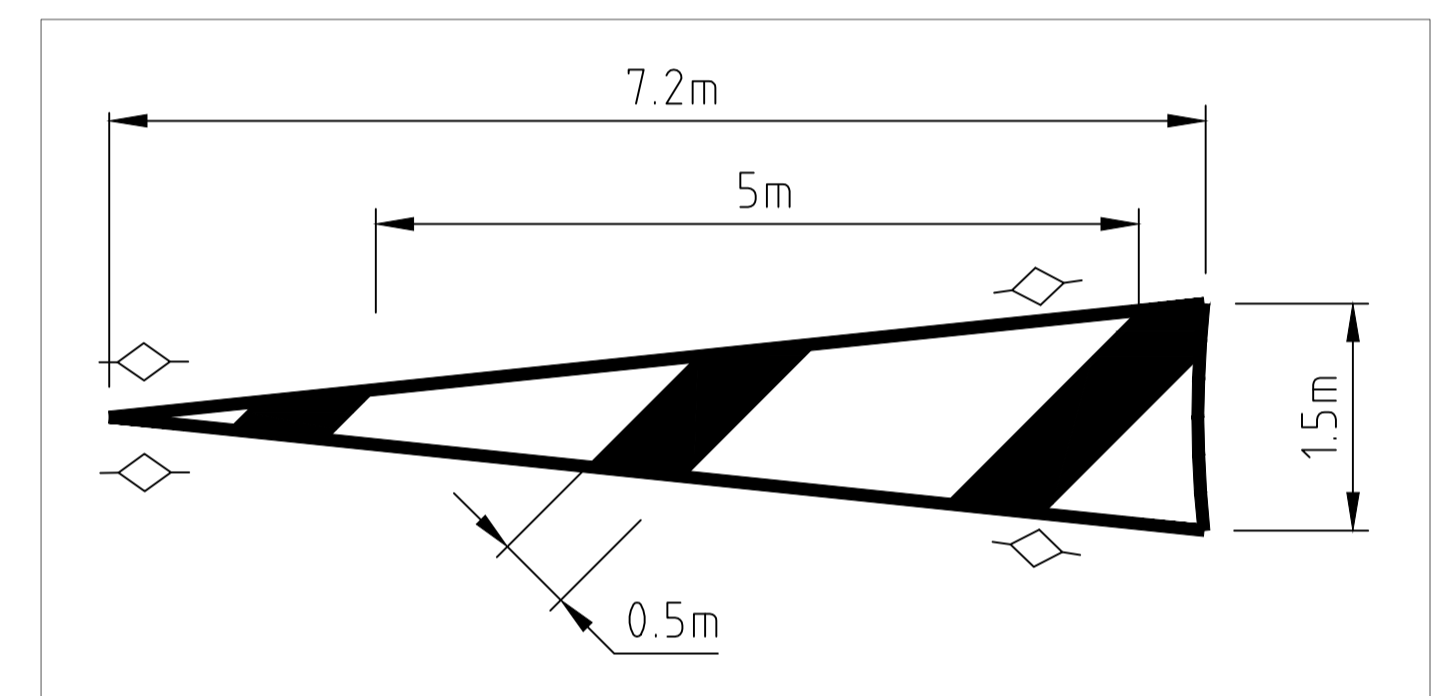


LEGEND	
	LINEMARKING AS SPECIFIED
	RRPM'S (RAISED REFLECTIVE PAVEMENT MARKERS)
	TRAFFIC SIGNS AS SPECIFIED
PAVEMENT MARKING LINE TYPES	
BROKEN LANE LINE (80mm WIDE)	
DOUBLE ONE WAY BARRIER LINE (80mm WIDE LINES, 80mm GAP)	
EDGE LINE (120mm WIDE)	
DOUBLE TWO WAY BARRIER LINE (80mm WIDE LINES, 80mm GAP)	
CONTINUITY LINE (120mm WIDE)	
GIVE WAY LINE (300mm WIDE)	
STOP LINE (300mm WIDE)	

- 150mm THICK REINFORCED CONCRETE INFILL WITH FAUX BRICK STENCIL IN RED HERRINGBONE PATTERN
- INSTALL OMNIGRIP CST OR SIMILAR APPROVED IN RED COLOUR AS SHOWN BETWEEN KERB AND EDGE LINE MARKING BY TOWN
- REMOVE OBSOLETE LINE BY THE TOWN'S CONTRACTOR



PAINTED SPLITTER ISLAND
DIMENSIONS
SCALE 1:50

NOTES

- ALL OBSOLETE LINE MARKING SHALL BE REMOVED BY THE TOWN APPOINTED CONTRACTOR.
- ROUNDBOUT CENTRAL ISLAND SHALL BE CONSTRUCTED AS FULLY MOUNTABLE REINFORCED CONCRETE WITH STENCILED RED HERRINGBONE PATTERN. FINISH LEVEL SHALL BE MAX. 100mm ABOVE EXISTING ASPHALT.
- ENSURE TRAFFIC MANAGEMENT DURING CONSTRUCTION CONFORMS TO CURRENT ACTS, REGULATIONS AND AUSTRALIAN STANDARDS RELATING TO WORK SITE TRAFFIC MANAGERMENTS.
- SWEEP SITE BEFORE INSTALLATION OF NEW LINE MARKINGS.
- MAINTAIN TEMPORARY ROAD PAVEMENT MARKINGS AND SIGNAGE UNTIL PERMANENT M.R.W.A. ROAD PAVEMENT MARKINGS AND SIGNAGE ARE IN PLACE.
- ADVISE MRWA TO INSTALL REGULATORY ROAD SIGNS AND LINE MARKINGS ONCE SPOTTING OF NEW LINES IS COMPLETED. TOWN'S OPERATION SUPERVISOR TO CONTACT MRWA TO ADVISE OF SITE AVAILABILITY TO ENSURE PROMPT INSTALLATION OF PAVEMENT MARKING AND SIGNAGE.

**LOW COST URBAN ROAD SAFETY PROGRAM FUNDED
RAPHAEL PARK PRECINCT**



No	Date	REVISION	By	App'd
1	01/24	INCLUDE ADVANCE ROUNDABOUT SIGNS AS PER MRWA COMMENTS, RE-SUBMIT FOR MRWA APPROVAL	T.K.	F.S.
0	08/23	ISSUED FOR COMMENT	T.K.	F.S.



TOWN OF VICTORIA PARK
99 SHEPPERTON ROAD, VICTORIA PARK

THIS DRAWING REMAINS THE PROPERTY OF THE TOWN OF VICTORIA PARK AND MUST NOT BE RETAINED, COPIED OR USED WITHOUT THE AUTHORITY OF THE DIRECTOR TECHNICAL SERVICES

DESIGNED	T.K.	01/24	SCALE	1:250 @ A1
DRAWN	T.K.	01/24	DATUM	AHD PCG94
CHECKED	F.S.	01/24	APPROVED	
RECOMMENDED				

MACKIE ST & WASHINGTON ST, VICTORIA PARK
LOW COST URSP MINI ROUNDABOUT
TRAFFIC SIGNS AND PAVEMENT MARKINGS

SHEET	1	OF	1
DRAWING No.	E 10708-2		
Job No.			

J:\Techsvc\Design\1000 PROJECTS\2023-24\1A1M - Low Cost Safety\ACAD\02 Mackie ST & Washington ST\URSP MACIE ST & WASHINGTON ST.dwg